

# NV28D Fully automatic intellectual Lock

## Instruction Manual

Thank you for purchasing our products  
In order to use this product better, please read the manual carefully before use.

Dear users

Thank you for your trust.

It's a great honor for you to be our user. In order to make you master the use of the intelligent door lock as soon as possible, we have specially compiled a manual for you. We try our best to compile the product manual comprehensively and concisely. From this, you can get some knowledge about the installation steps and basic usage of intelligent door lock. We strongly recommend that you read carefully before using this product, which will help you use the smart door lock better. If you do not operate the smart door lock according to the instructions, our company will not be responsible for any loss caused by this.

The instruction manual is only applicable to the description of the use, use conditions and environmental requirements of the same type of intelligent door lock products described in the book, and does not specifically indicate the actual configuration and interface of the product's software and hardware. The actual configuration shall be subject to the product you purchased and the packing list. This manual may not be applicable to other models and configurations of intelligent door locks, and it may not be applicable to other brands of products. This manual is subject to change without prior notice.

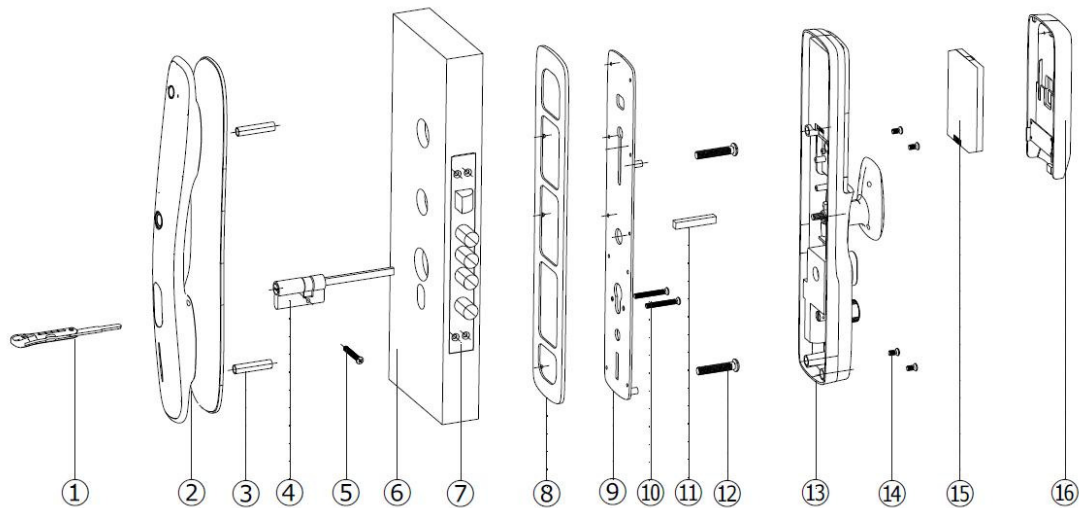
### 1. Introduction to Basic Functions

Major function

1. Six-in-one automatic unlocking mode, fingerprint + password + card + Wechat temporary password + mechanical key + intelligent cat's eye remote unlocking (optional).
2. Semiconductor biometric fingerprint acquisition head, anti false finger, anti clone fingerprint unlocking.
3. Wechat temporary password to open the door, even if you are not at home, you can send the temporary password to the people who need to enter the home to open the door.
4. Class C lock cylinder, anti lock technology.
5. The whole lock anti prying alarm can prevent violent unlocking.
6. The mounting hole position can be adjusted, and the adaptability is stronger.

7. System self-test, the system automatically detects the working state of the equipment.
8. USB emergency power supply, prevent no electricity can not open the lock.
9. Equipped with OLED display and voice navigation, you can easily complete all operations even without reading the manual.
10. With doorbell function.
11. The lock body is interchangeable and can be directly installed without removing the lock body.
12. The door has its own escape handle, which is safer and more convenient to unlock.
13. Key automatic unlock, lock, free of manual unlock trouble.
14. Equipped with intelligent visible cat's eye function version, it has remote unlocking, visiting automatic capture function, password anti test capture, anti prying capture function, etc.

## 2.The Structure



Tips: this picture is only for function description, not actual effect. If the picture is different from the real object, the real object shall prevail

Composition details of smart lock:

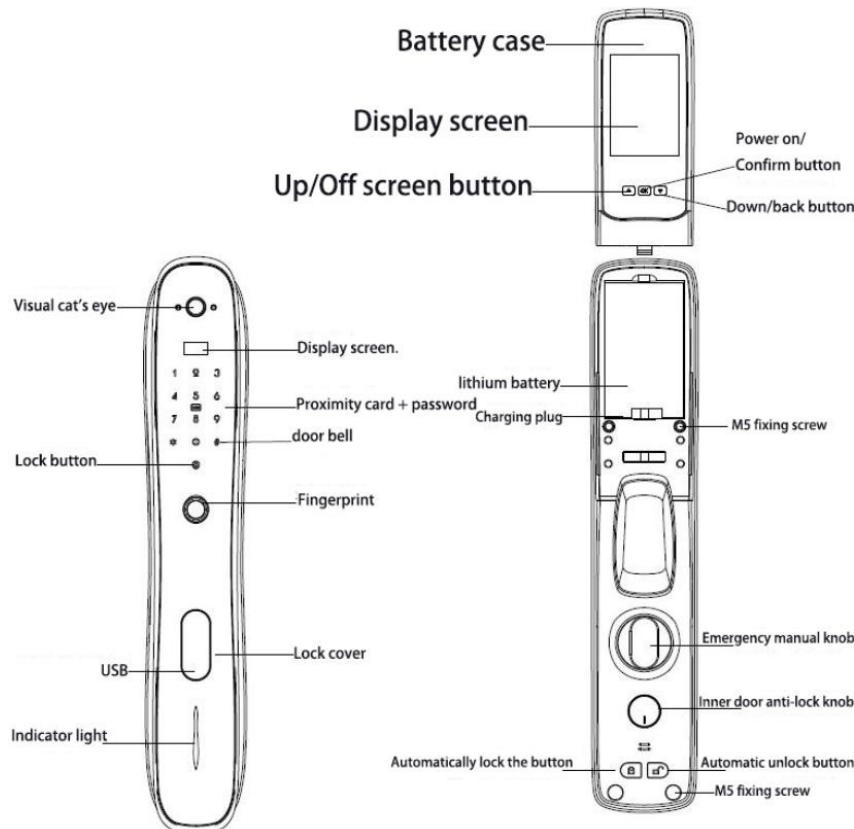
NO.	Name	QTY
1	Keys	2
2	Front panel assembly	1

3	M5 screw sleeve	2
4	Lock head	1
5	Lock cylinder fixing screw	1
6	Doorframe	
7	Lock body	
8	Silicone pad	1

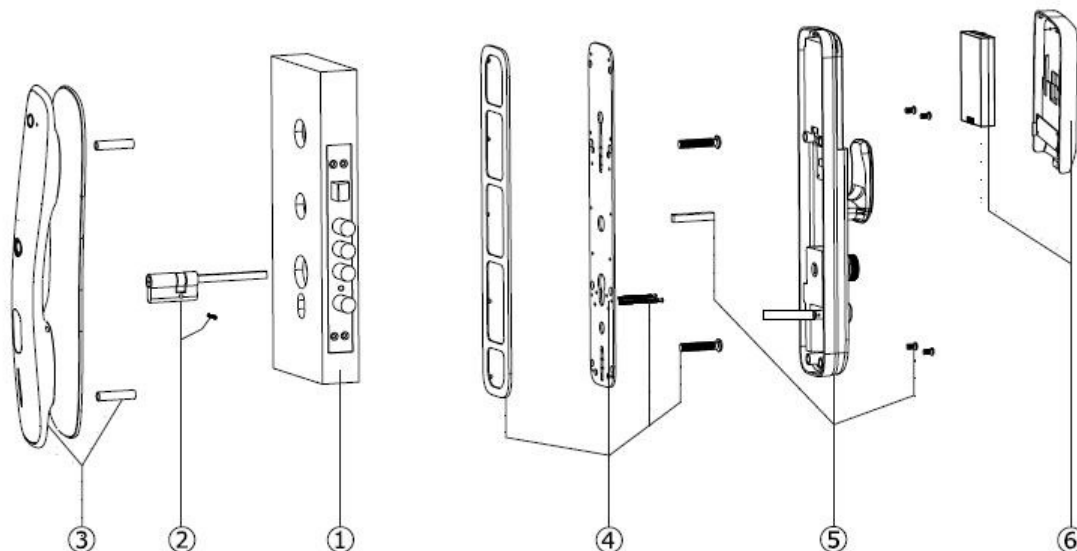
NO.	Name	QTY
1	Rear floor	1
2	M5 countersunk head screw	2
3	Square pole	1
4	M6 round head screw	2
5	Rear panel assembly	1
6	M5 countersunk head screw	4
7	Lithium battery	1
8	Battery cover	1

### 3.Function introduction

Automatic lock with visible cat's eye



## Way to install



## Installation sequence diagram

### Installation steps:

#### 1 preparation before installation

Inspection: check and confirm the accessories, check whether the lock can be used normally, and then go to the next step.

Opening: determine the opening position according to the standard opening drawing and lock model ( The hole has been opened, omit this part

#### Steps)

1. Start the installation, and install according to the installation diagram above. The specific steps are as follows:

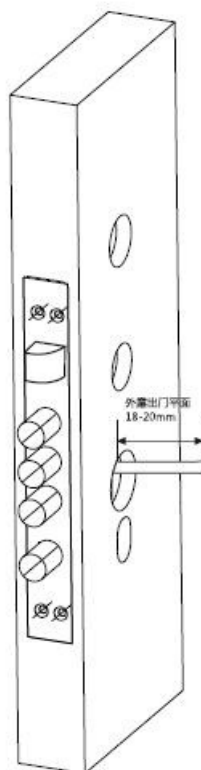
① Install the lock body: install the lock body on the door with holes, and fix it with MS screws;

(adjust the direction of the latch according to the opening mode)

② Install the lock cylinder: insert the lock cylinder into the lock body from the outside, with the key facing the outside of the door body and the square bar of the rotating shaft facing the door

Inside the body, the leakage length of the square strip (Fig. 1) is 18 ~ 20 mm;

(as shown in Figure 1)



③ Install front panel assembly: fix the front panel stud with 2 m 6 screw sleeves (locking cannot be loose), align the front panel assembly with the door body hole position, and install it outside the door body;

④ Install the rear bottom plate: insert the silica gel cushion into the rear floor (without stud surface), install the rear floor plate to the door body room with the rear floor aligned with the door body hole, insert the bottom plate with 2 m 6 screws, and lock it with the screw sleeve of the front panel assembly

⑤ Install the rear panel assembly: insert the square bar into the square shaft of the lock body, and install the rear panel assembly on the indoor door body. During the installation, the lock cylinder square bar, anti lock square bar, square bar and rear floor stud shall be aligned with the corresponding holes; Position, then lock and fix the rear assembly.

⑥ Install the battery; Install the battery, install the battery box cover and

complete the installation( After installation, pay attention to check the moving parts smoothly and there is no sticking phenomenon.)

## Installation precautions

1. After installation, the motor must be tested to ensure smooth rotation, normal sound and no noise. Otherwise, if the installation is not good, the power consumption will increase.
2. When leaving the factory, all users are empty, any fingerprint can open the door, please add users in time before use.
3. When setting the unlocking information, please ensure that the door is open to avoid failure to open the door due to unsuccessful setting.
4. Please make sure that the emergency key is kept outside the safe door. When the electronic cannot be opened, it can be opened with the emergency key.

## 5. Door lock Operation Instructions

### Precautions for use

1. When the battery voltage is detected to be 6.8v after 10 times of continuous unlocking, it will prompt "battery" every time the door is opened

After the low voltage alarm, the door lock can be opened about 200 times.

2. This lock has the function of anti password deciphering and password anti test: if the password is input incorrectly for more than 5 times continuously, the alarm will be triggered. If the password is input again before it is removed, the alarm will still be triggered; Correct verification can release the alarm or automatically release the alarm count after 180s. Fingerprint anti test: if the fingerprint input error exceeds 10 times continuously, the alarm will be triggered. If the fingerprint is input again before it is removed, the alarm will still be triggered; Correct verification can release the alarm or automatically release the alarm count after 180s. Card anti test: if the card input error exceeds 10 times continuously, the alarm will be triggered. If the card is input

again before it is removed, the alarm will still be triggered; Correct verification can release the alarm or automatically release the alarm count after 180s.

3. The system automatically enters the low power consumption mode after 5 seconds of no operation.
4. The lock has password anti peeping function: when opening the door, enter the password as follows: XXX password XXX; You can add some irrelevant codes before and after the password, and then press the "#" key to confirm. The password must be included in the input (no more than 16 digits in total).
5. This lock can input 300 pieces of user information, including fingerprint, password or card.
6. When the internal battery is exhausted and cannot open the door, SV USB power supply and external standby port can be used to open the door in an emergency. The external power supply of automatic lock only provides charging function. The battery can be removed and charged by SV charger.

## Factory status

1. The factory engineering password is '123456', which can open the door. After entering the administrator information, enter the project password

"123456" will be deleted automatically. "#" Key is confirm key or enter menu function key; "\*" The key is clear key / back key. When inputting the password, click to clear the previous input and long press to clear the input

2. Enter "88 8" in the factory state, press "key to confirm, enter the factory setting menu, and set the door opening direction, motor torque and reverse time. After setting the administrator, you cannot enter this function menu.

## Function management of access door lock

After lighting up the keyboard, press the "\*" key and then the "#" key to enter the administrator verification state. After operation, prompt: enter the administrator information (the administrator information in the initial state is password: 123456), and the administrator can carry out function management after verification.

## Administrator settings

User settings include entering administrator, modifying administrator, deleting administrator and restoring factory settings. Input administrator information

can be fingerprint, password, card, enter the lock function management, according to voice broadcast and text prompt operation

## Note:

1. Enter administrator settings, input fingerprint, password or card according to voice broadcast and text prompt. fingerprint

It needs to be repeated 3 times, password 2 times and card 1 time for confirmation. After entering the management information, only the administrator has the authority to manage the door lock, ordinary users can only use it to unlock.

2. You can enter it in a cycle and exit the system setting without operation for 10 seconds or press the "\*" key to return to the previous menu until you exit; After the operation fails, you need to enter the user number, which cannot be entered in the enter number interface; Input password must be more than 6 digits.

3. After modifying the administrator information, the modified administrator information will be deleted and cannot be modified

The administrator of.

4. Restore factory settings will clear all user information, this menu, select carefully.

## User settings

User settings include entering ordinary users, modifying ordinary users, deleting ordinary user information, and managing wireless users. Ordinary user information can be fingerprint, password, card, remote user (need to install wireless module). Note:

Enter the user settings and input the fingerprint, password or card according to the voice broadcast prompt. Fingerprints need to be repeated

Input 3 times, password 2 times, card 1 time to confirm. Normal user rights can only be used to unlock.

## System settings



The system setting options include time setting, verification mode setting, door opening function setting, language volume setting. After entering the door lock function management, operate according to the voice and menu text prompt.

### Note:

1. In combination mode, any two groups of ordinary user unlocking information with different numbers can be combined to unlock. The administrator can use his own administrator fingerprint, password or card to unlock directly.
2. When the system is restored to the factory settings, the time of one lock will not change, others: 2 delay lock [off] 3 anti prying switch [off] 4 card unlock [on].

### data statistics

Data statistics, door opening record query, storage information statistics, etc. after entering the door lock function management, press the voice and menu text prompt operation.

### Tuya APP operation manual

App access: search for "Tuya intelligence" in each application market or scan the QR code on the right to download.



1. Open app to register an account first,
2. On the app "my home" tab, click "+" in the upper right corner to enter the interface in Figure 1, select the WiFi door lock in "security sensor" to enter the page of Figure 2. After entering the distribution mode, continue to press the APP prompt.



图1

图2

3. After successful connection, the door opening and closing information of the door lock can be accepted. The door lock time is automatically calibrated to the time of app. Press "3 + #" to apply for remote unlocking;



Initialization operation

Method 1: through the "unlock + close lock key" rapid initialization;

Press and hold the "unlock + close" key for 5S, the system will give a short sound, and the system will display that it is initializing

Confirm by "#"; After completion, the voice prompts "initialization succeeded", and all contents are cleared; After initialization, any fingerprint, card and password (123456) can be unlocked.

Method 2: enter the setup menu

Press "\*" + "#" to verify that the administrator has passed, and then enter the main menu of setting; Press the number key "1" to select the administrator settings, and press the number key "4" in the main interface to select the factory settings. Press the key to confirm, the machine will sound for a long time, and the system will start to initialize. Note: the system time remains unchanged after initialization, and all user information is cleared.

## emergency supply

When the battery is exhausted and no key is provided, the external charging treasure can be used as emergency power supply. Open the lock head cover, and the charging treasure can power the door lock through USB interface connected to the door lock through USB cable. At this time, the lock can be unlocked by using the lock password, fingerprint or card ( Charge the battery immediately after opening the door)

Warm tips: please make sure that the emergency key is kept outside the safe door, when the electronic cannot be opened, you can use the emergency key to open it!

## 6. Maintenance and maintenance

### Daily maintenance

1. It is forbidden to contact the panel with corrosive substances (such as Tianna water, alcohol and gasoline) to prevent damaging the surface coating
2. After the fingerprint collection window is used for a long time, there will be dirt on the surface. At this time, you can use a soft cloth to wipe the dirt.
3. When collecting fingerprints, the strength of fingers should be moderate,

and do not exert great pressure.

4. Do not knock or scratch the touch screen with metal or hard objects.
5. Do not use hard objects to impact or knock on the shell to prevent damage to the surface coating.
6. Waterproof protection. The lock is equipped with waterproof facilities, so please avoid contacting with water or other liquids

Body, or immerse equipment in water or other liquid.

7. If the shell comes into contact with liquid or salt spray, dry it with a soft, absorbent cloth.
8. Once the power is insufficient, please replace the battery in time to avoid the trouble of using external power to unlock.
9. Regularly ask professional personnel to add lubricating oil or grease to the moving parts of the door lock, which causes serious loss